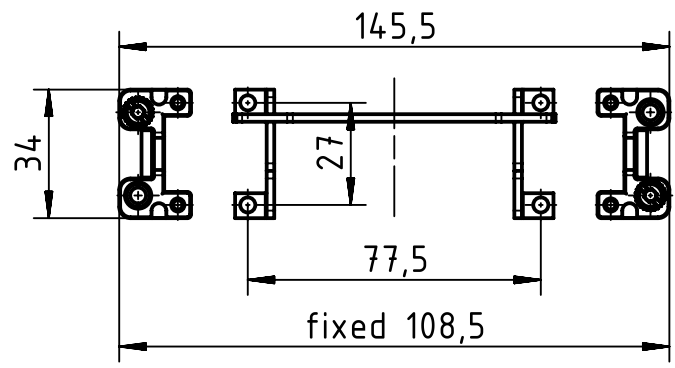
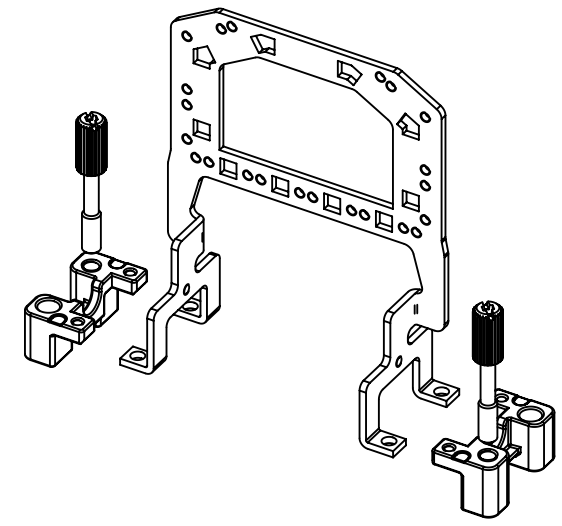
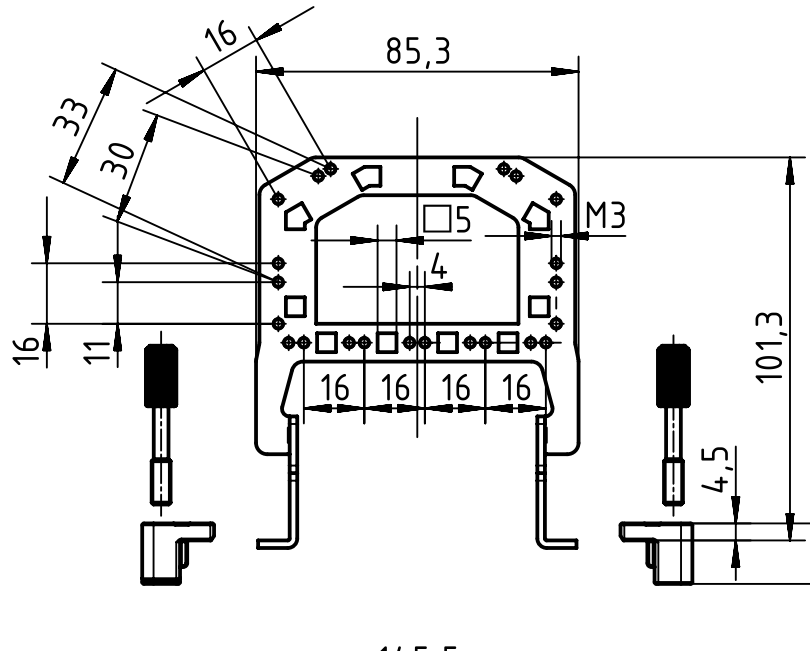


1 2 3 4 5 6

A
B
C
D



suitable with Han-Modular hinged frame for 4 modules
and for inserts size 16 B
pinhole image for cable clamp 09 00 000 5341, 09 00 000 5342
and cable ties with max. 5mm width

range of delivery: grip frame,
screw adapters, screw pins

	All rights reserved Department EL PD	All Dimensions in mm Original Size DIN A4		Scale 1:2	Free size tol.	Ref. Sub.
		HARTING Electric GmbH & Co. KG D-32339 Espelkamp	Created by HELLMANN	Inspected by GERB	Standardisation RUETERA	Date 2018-11-20
Title grip panels Han-Modular 16 hinged frame						Doc-Key / ECM-Nr. 100198006/UGD/004/D 500000143204
Type TB				Number 09 00 016 5605		Rev. D
						Page 1/1